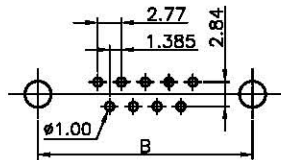
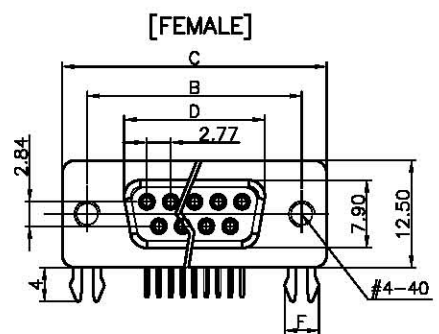


REV.	DESCRIPTION	DRAWN	CHECKED	APPROVED
A	NEW RELEASE	LJH 06/14/07'	~	LJC 06/14/07'
B	新增螺丝规格	YCH 11/05/11'	~	



RECOMMEND PCB LAYOUT(TOLERANCE ± 0.05)
(VIEW FROM TOP SIDE)

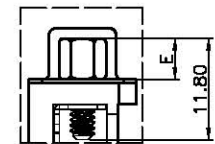
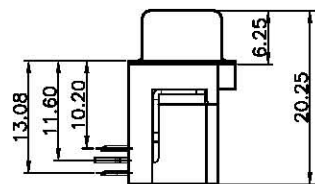
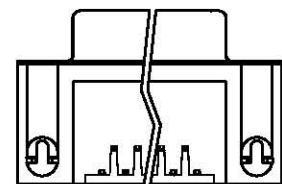
NOTES: 备注

- PRODUCTS PERFORMANCE:
 - VOLTAGE RATING: 250V AC.
 - CONTACT CURRENT RATING: 1.5A MAX. PER PIN.
 - CONTACT RESISTANCE: 20m Ω MAX.
 - DIELECTRIC WITHSTANDING VOLTAGE: 500V AC(rms) FOR 1 MINUTE.
 - INSULATION RESISTANCE: 1000M Ω MIN.
 - OPERATING TEMPERATURE: -20°C~+70°C.

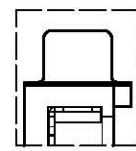
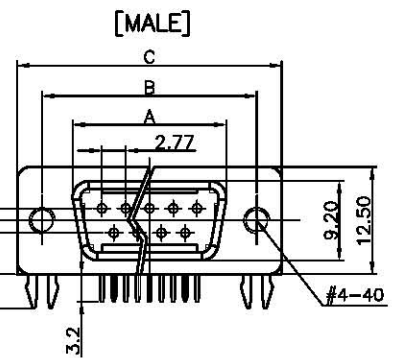
2. PRODUCT NUMBER CODE:

DS1037 -01- X X X X X X X X

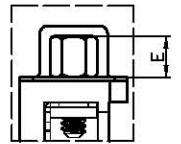
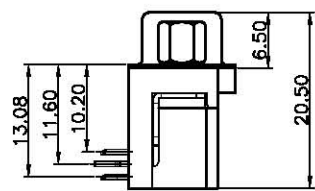
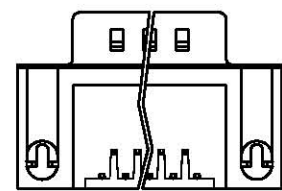
- SCREW DIM. E
 - 4: 4.80mm
 - 5: 5.80mm
 - Ⓟ6: 4.80mm(Inside thread M2.6*0.45p, outside thread unc#4-40)
 - ⓅM3: 4.80mm(Inside thread M3.0, outside thread unc#4-40)
- BOARD LOCK DIM. F
 - 4: 4.00mm
 - 7: 3.70mm
- CONTACT PLATING
 - T: SELECTIVE GOLD FLASH
 - Si: FULL GOLD FLASH
 - 6: FULL TIN
- COLOR OF HOUSING
 - K: BLACK
 - B: BLUE
- SCREW TYPE
 - A: WITH SCREW TYPE
 - B: WITH RIVET TYPE
 - C: WITH SCREW AND RIVET TYPE
 - D: RIVET TYPE WITH SCREW IN BULD PACKAGE
- SHELL PLATING
 - N: Nickel
 - T: Tin
- CONNECTOR TYPE
 - M: MALE
 - F: FEMALE
- No. OF CONTACT
 - 09: 9pos.
 - 15: 15pos.
 - 25: 25pos.
 - 37: 37pos.



WITH SCREW TYPE



WITH RIVET TYPE



WITH SCREW AND RIVET TYPE

Dimension				
Position	A ± 0.2	B ± 0.2	C ± 0.2	D
9	17.90	24.99	30.80	16.33
15	26.50	33.32	39.14	24.66
25	40.00	47.04	53.04	38.38
37	56.50	63.50	69.32	54.84

GENERAL TOLERANCE		ANGLE TOLERANCE	
X.	± 0.50	X.	$\pm 3'$
.X	± 0.30	.X	$\pm 2'$
.XX	± 0.20	.XX	$\pm 1'$
DRAWING TYPE ASSEMBLY			
SCALE		1:1	SHEET 1 OF 1
DRAWING NO.		C-DS1037-01-XXXXXXX-B	

PROJECTION	TITLE
	D-SUB RIGHT ANGLE(9.4mm) TYPE
UNITS	mm
SHEET SIZE	A4
SERIES	DS1037-01 SERIES

广东中南电子电器有限公司

www.zn-cn.com