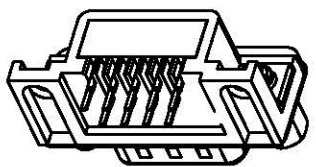
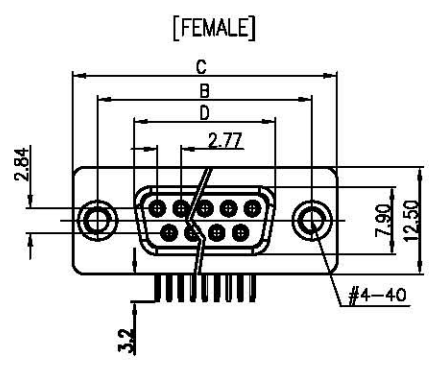


REV.	DESCRIPTION	DRAWN	CHECKED	APPROVED
A	NEW RELEASE	YCH 08/13/07'	~	

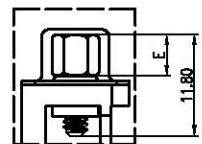
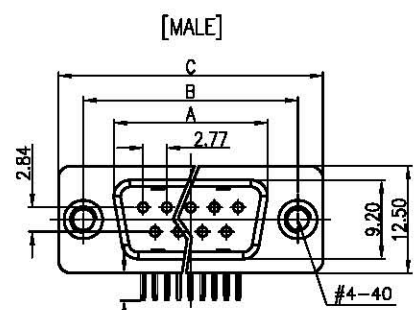
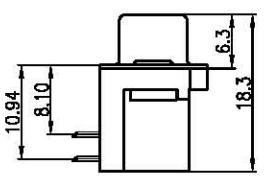
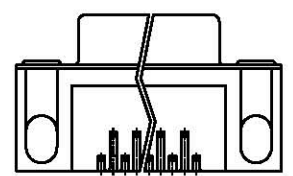


NOTES:

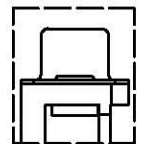
- PRODUCTS PERFORMANCE:
 - VOLTAGE RATING: 250V AC.
 - CONTACT CURRENT RATING: 1.5A MAX. PER PIN.
 - CONTACT RESISTANCE: 20mΩ MAX.
 - DIELECTRIC WITHSTANDING VOLTAGE: 500V AC(rms) FOR 1 MINUTE.
 - INSULATION RESISTANCE: 1000MΩ MINI.
 - OPERATING TEMPERATURE: -20°C~+70°C.
- PRODUCT NUMBER CODE:

DS1037-03 - X X X X X X X

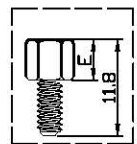
- SCREW DIM. E
4: 4.80mm
5: 5.80mm
- CONTACT PLATING
T: SELECTIVE GOLD FLASH
Si: FULL GOLD FLASH
6: FULL TIN
- COLOR OF HOUSING
K: BLACK
B: BLUE
- SCREW TYPE
B: WITH RIVET TYPE
C: WITH SCREW AND RIVET TYPE
D: RIVET TYPE WITH SCREWS IN BULK PACKAGE
- SHELL PLATING
N: Nickel
T: Tin
- CONNECTOR TYPE
M: MALE
F: FEMALE
- No. OF CONTACT
09: 9pos.
15: 15pos.
25: 25pos.
37: 37pos.



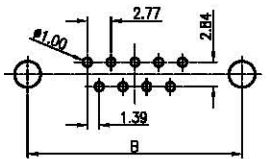
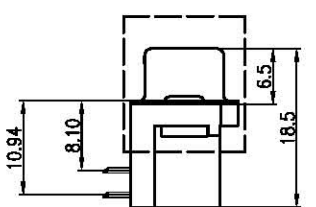
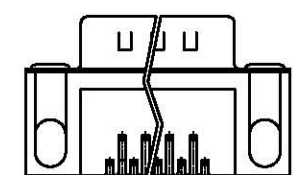
WITH SCREW AND RIVET TYPE



WITH RIVET TYPE



SCREWS



RECOMMEND PCB LAYOUT(TOLERANCE ±0.05)
(VIEW FROM TOP SIDE)

Dimension

Position	A±0.2	B±0.2	C±0.2	D
9	17.90	24.99	30.84	16.33
15	26.50	33.32	39.14	24.66
25	40.00	47.04	53.04	38.38
37	56.50	63.50	69.32	54.84

GENERAL TOLERANCE		ANGLE TOLERANCE	
X.	±0.60	X.	±5'
.X	±0.38	.X	±3'
.XX	±0.25	.XX	±2'
DRAWING TYPE		CUSTOMER	
SCALE	1:1	SHEET	1 OF 1
DRAWING NO.	C-DS1037-03-XXXXXXX		

PROJECTION	TITLE
	D-SUB RIGHT ANGLE(7.2mm) W/O BOARDLOCK TYPE
UNITS	mm
SHEET SIZE	A4
SERIES	DS1037-03 SERIES

广东中南电子电器有限公司

www.zn-cn.com