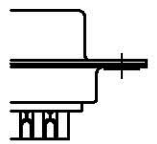
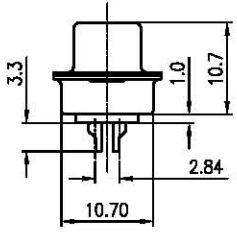
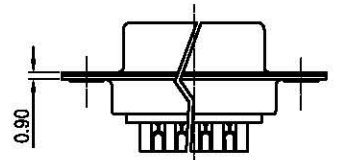
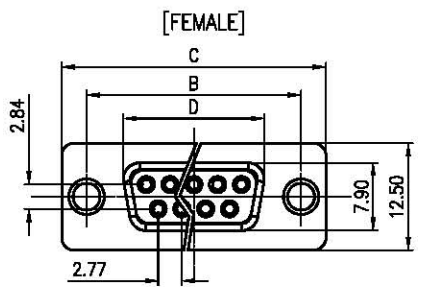


REV.	DESCRIPTION	DRAWN	CHECKED	APPROVED
A	NEW RELEASE	LJH 09/24/05'	~	LJC 09/24/05'
B	ADD 50pin drawing	LJC 02/10/07'	~	LJC 06/16/07'
C	ADD BR TYPE	YCH 07/10/07'	~	

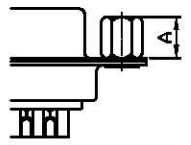
NOTES:

- ELECTRICAL CHARACTERISTICS:
    - CONTACT RESISTANCE: 20mΩ Max. INITIAL.
    - DIELECTRIC WITHSTANDING VOLTAGE: 500V AC(rms) FOR 1 MINUTE.
    - INSULATION RESISTANCE: 1000MΩ Min.
  - ENVIRONMENT CHARACTERISTICS:
 

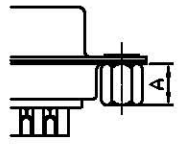
TEMPERATURE RANGE: -45°C~+105°C.
  - PART NUMBER: DS1033
  - PRODUCT NUMBER CODE:  
DS1033- X X X X X X X
- SCREW DIM. A
    - S: Standard(W/O nut)
    - 1: 5.00
    - 2: 3.00
    - 3: 5.20
    - 4: 4.80
    - 5: 5.80
    - 6: 4.00
  - SCREW TYPE
    - S: Standard(W/O nut)
    - 1: CC TYPE
    - 2: CS TYPE
    - 3: CSH TYPE
  - CONTACT PLATING
    - B: FULL GOLD FLASH
    - Si: SELECTIVE GOLD FLASH
    - 6: Full Tin
  - SHELL PLATING
    - T: FRONT & BACK SHELL Tin
    - N: FRONT SHELL Nickel, BACK SHELL Tin
  - HOUSING COLOR
    - B: BLACK
    - W: WHITE
    - U: BLUE
  - CONNECTOR TYPE
    - M: Male
    - F: Female
  - No. OF CONTACTS
    - 09: 9pos.
    - 15: 15pos.
    - 25: 25pos.
    - 37: 37pos.
    - 50: 50pos.



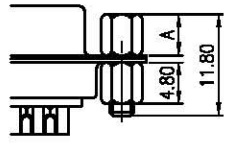
Standard



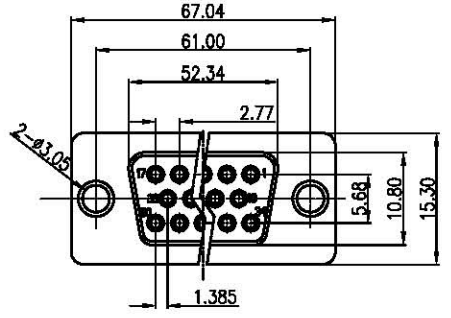
CC TYPE



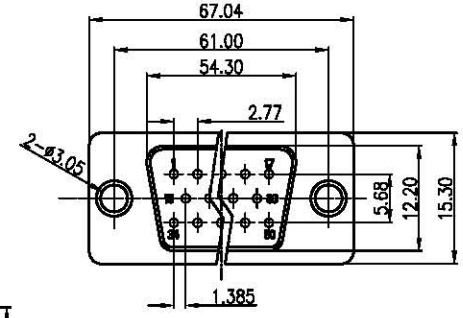
CS TYPE



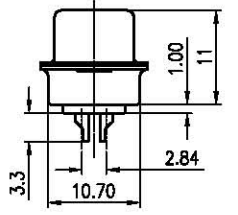
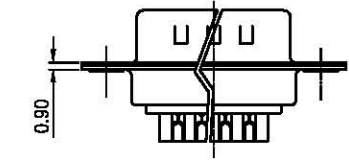
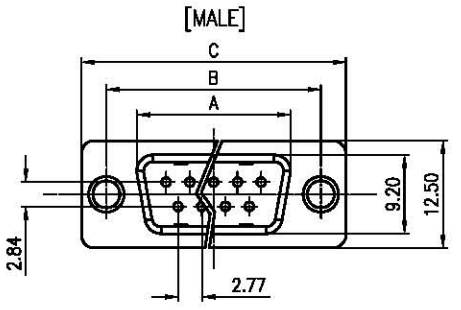
CSH TYPE



50pin Female Figure



50pin Male Figure



Dimension

Position	A±0.2	B±0.2	C±0.3	D
9	17.90	24.99	30.80	16.33
15	26.50	33.32	39.14	24.66
25	40.00	47.04	53.04	38.38
37	56.50	63.50	69.32	54.84

GENERAL TOLERANCE		ANGLE TOLERANCE	
X.	±0.60	X.	±5°
.X	±0.38	.X	±3°
.XX	±0.25	.XX	±2°

PROJECTION	TITLE
	D-SUB SOLDER TYPE
UNITS	mm
SHEET SIZE	A4
SERIES	DS1033 SERIES

DRAWING TYPE	CUSTOMER
SCALE	1:1 SHEET 1 OF 1
DRAWING NO.	C-DS1033-XXXXXXX

广东中南电子电器有限公司  
http://www.zn-cn.com