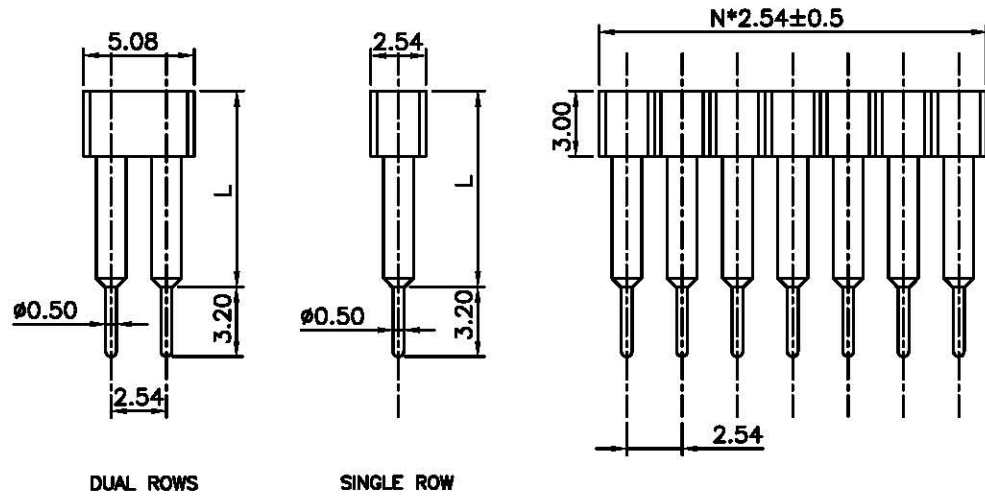


REV.	DESCRIPTION	DRAWN	CHECKED	APPROVED
A	NEW RELEASE	LL 07/01/06'		

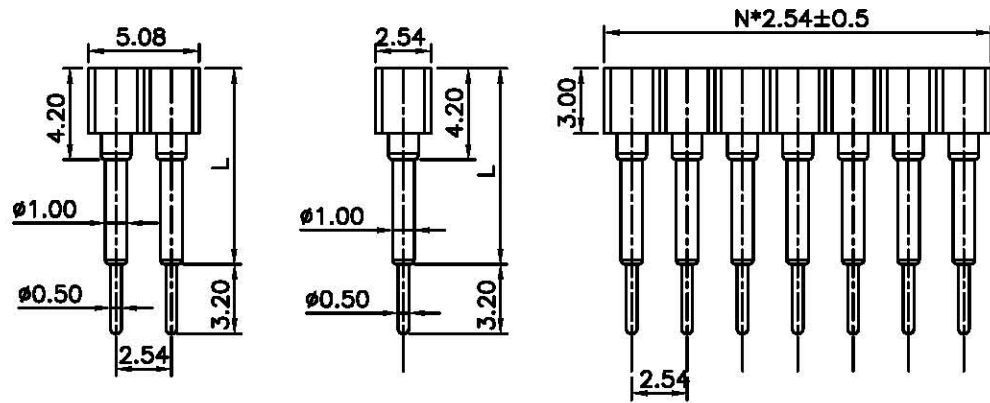
TYPE 1



DUAL ROWS

SINGLE ROW

TYPE 2



DUAL ROWS

SINGLE ROW

TABLE A

TYPE	DIMENSION (L)
1	6.00
2	7.00
3	8.00
4	9.00
5	10.00
6	11.00
7	12.00
8	14.60
9	

NOTES:

- ELECTRICAL:
 - Current rating: 3Amps/contact max.
 - Contact resistance: $\leq 20\text{m}\Omega$ /contact.
 - Insulation resistance: $> 1000\text{M}\Omega$ at $V=100\text{V}$.
 - Operating voltage: 60V AC/DC.
- MECHANICAL:
 - Average insertion force with steel pin of $\phi 0.43\text{mm}$: $< 250\text{g}$.
 - Average withdrawal force with steel pin of $\phi 0.43\text{mm}$: $> 15\text{g}$.
 - Mechanical life cycle: min 200.
 - Operating temperatures: Gold plated: -55°C to $+105^\circ\text{C}$.
Tin plated: -40°C to $+105^\circ\text{C}$.

3. PRODUCT NUMBER CODE:

DS1002-07 - X X X X X

- DIM L TYPE
- 1: TYPE 1
- 2: TYPE 2
- 3: TYPE 3
- 4: TYPE 4
- 5: TYPE 5
- 6: TYPE 6
- 7: TYPE 7
- 8: TYPE 8
- CONTACT TYPE
- 1: TYPE 1
- 2: TYPE 2
- CLIP PLATING
- 1: Tin 150u"
- 2: Tin 200u"
- 3: G/F
- 4: Gold 3u"
- 5: Gold 10u"
- 6: Gold 15u"
- PIN PLATING
- 1: Tin 150u"
- 2: Tin 200u"
- 3: G/F
- 4: Gold 3u"
- 5: Gold 10u"
- 6: Gold 15u"
- No. OF CONTACTS
- 1*1 to 1*40
- 2*2 to 2*40
- SERIES NO
- DS1002-07

GENERAL TOLERANCE		ANGLE TOLERANCE	
X.	± 0.60	X.	$\pm 5^\circ$
.X	± 0.38	.X	$\pm 3^\circ$
.XX	± 0.25	.XX	$\pm 2^\circ$
DRAWING TYPE		CUSTOMER	
SCALE	1:1	SHEET	10F1
DRAWING NO.	C-DS1002-07-XXXXX		

PROJECTION	TITLE	SIP IC SOCKET PITCH 2.54mm	
UNITS	mm	MATING PIN $\phi 0.47$	
SHEET SIZE	A4	SERIES	DS1002-07 SERIES

广东中南电子电器有限公司
www.zn-cn.com