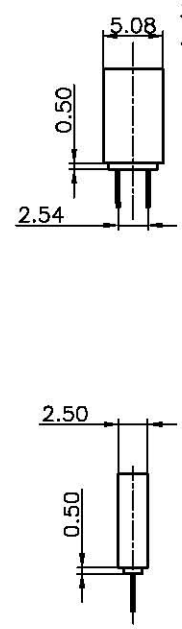
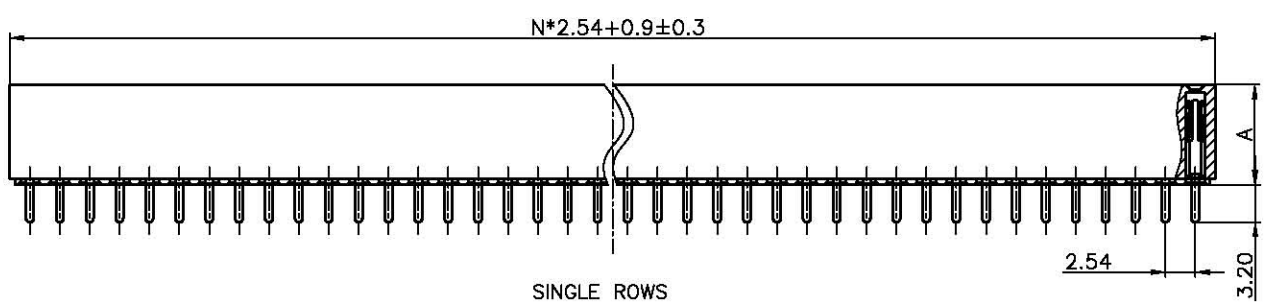
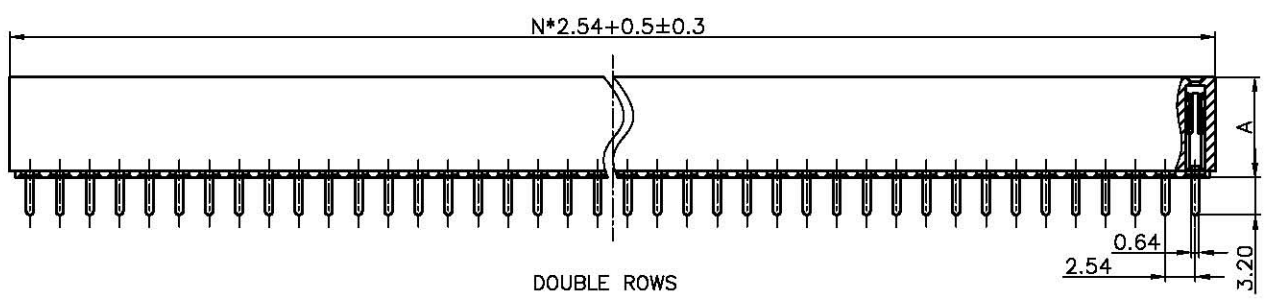
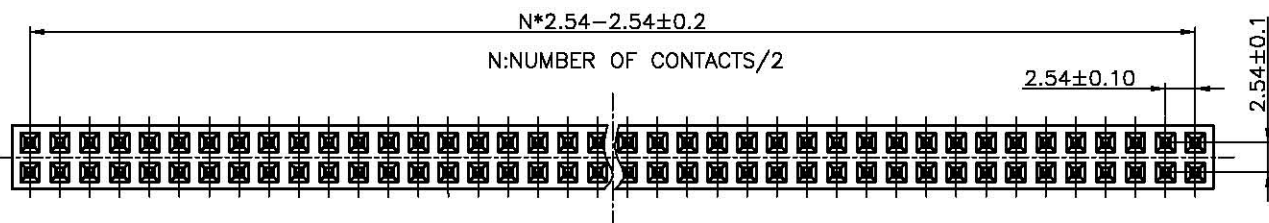


REV.	DESCRIPTION	DRAWN	CHECKED	APPROVED
A	NEW RELEASE	LJH 11/11/05'		



NOTES:

- MATERIAL
 - INSULATOR MATERIAL: THERMOPLASTIC (UL 94V-0).
 - CONTACT MATERIAL: COPPER ALLOY.
- SPECIFICATION
 - TEMPERATURE: -20° to $+80^\circ$ C.
 - DIELECTRIC WITHSTANDING VOLTAGE: AC 500V AC.
 - INSULATION RESISTANCE: 1000M Ω min.
 - CURRENT RATING: 3A.
- PART NUMBER: DS1023-01
- PRODUCT NUMBER CODE: DS1023-01 - X X X X
 - PROFILE HEIGHT (DIM A)
 - 1: 8.5mm
 - 2: 5.0mm
 - CONTACT PLATING
 - F1: FULL GOLD FLASH
 - 0: Selective gold flash
 - MOUNTING TYPE
 - S: Straight TYPE
 - No. OF CONTACTS
 - 1*1 - 1*40
 - 2*2 - 2*40
 - SERIES No. DS1023-01

DIM.	A
TYPE 1	8.50
TYPE 2	5.00

GENERAL TOLERANCE		ANGLE TOLERANCE		PROJECTION		TITLE	FEMALE HEADER PITCH		
X.	± 0.60	X.	$\pm 5^\circ$	UNITS	mm		2.54mm V/T TYPE		
.X	± 0.38	.X	$\pm 3^\circ$	SHEET SIZE	A4	SERIES	DS1023-01 SERIES		
.XX	± 0.25	.XX	$\pm 2^\circ$						
DRAWING TYPE		CUSTOMER							
SCALE		1:1	SHEET	1 OF 1					
DRAWING NO.		C-DS1023-01-XXXX							