

REV.	DESCRIPTION	DRAWN	CHECKED	APPROVED
A	NEW RELEASE	LJH 04/09/06'	~	LJC 04/09/06'
B	增加规格	YCH 01/26/08'	~	LJC 04/09/06'
C	修改图纸错误	YCH 06/01/09'	~	

NOTES:

1. ELECTRICAL CHARACTERISTICS:
  - 1.1 CONTACT RESISTANCE: 20mΩ Max.
  - 1.2 DIELECTRIC WITHSTANDING VOLTAGE: 500V AC(rms) FOR 1 MINUTE.
  - 1.3 INSULATION RESISTANCE: 1000MΩ Min.
2. ENVIRONMENT CHARACTERISTICS:
  - 3.1 OPERATING TEMPERATURE: 0°C~+85°C.
  - 3.2 STORAGE TEMPERATURE: -20°C~+70°C.

3. PRODUCT NUMBER CODE:

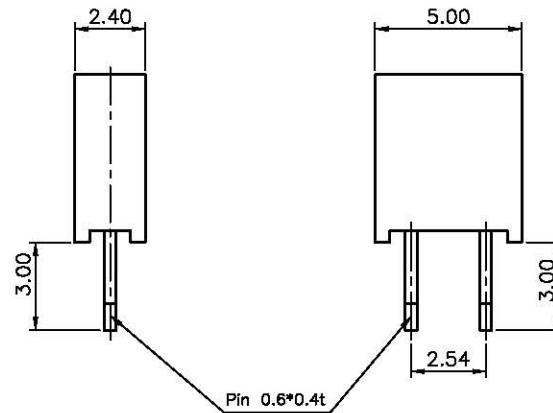
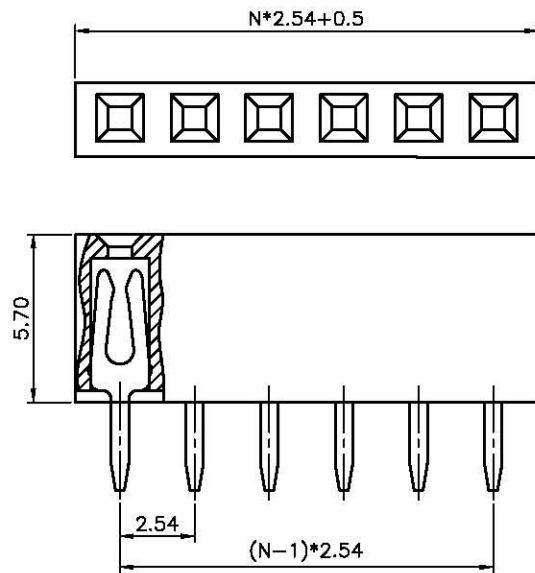
DS1023-03- X X X

CONTACT PLATING  
 0: SELETIVE GOLD FLASH  
 8: FULL GOLD FLASH  
 2: NICKEL + GOLD FLASH

MOUNTING TYPE  
 V: V/T TYPE

No.OF CONTACTS  
 1\*2~1\*40  
 2\*2~2\*40

SERIES No.  
 DS1023-03



GENERAL TOLERANCE		ANGLE TOLERANCE		PROJECTION	TITLE	FEMALT HEADER PITCH	
X.	±0.60	X.	±5'	mm		2.54mm TYPE	
.X	±0.38	.X	±3'	A4	SERIES	DS1023-03 SERIES	
.XX	±0.25	.XX	±2'				
DRAWING TYPE		CUSTOMER					
SCALE		1:1	SHEET	1 OF 1			
DRAWING NO.		C-DS1023-03-XXX-C					