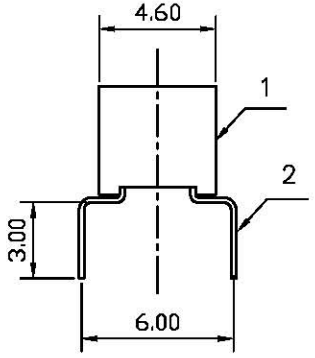
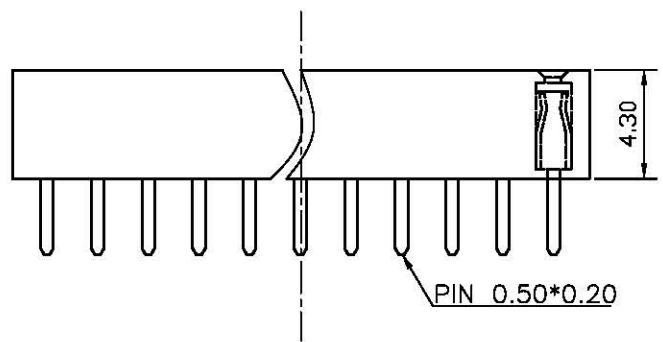
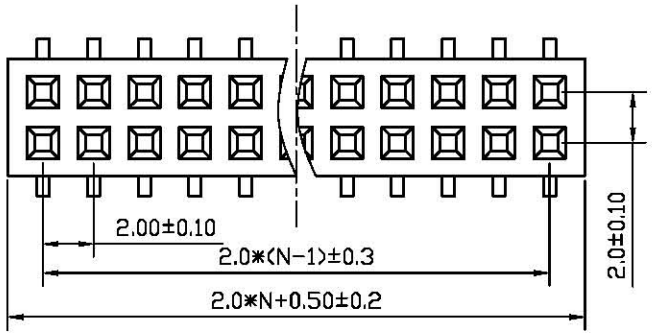


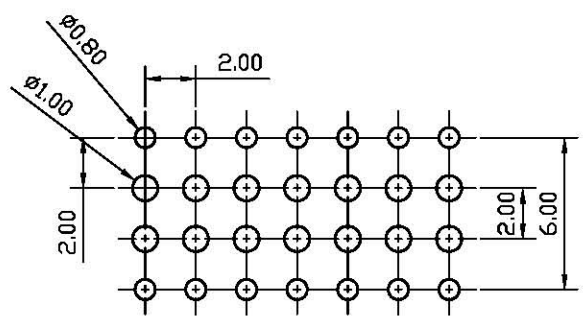
REV.	DESCRIPTION	DRAWN	CHECKED	APPROVED
A	NEW RELEASE	LJH 06/22/05'		

NOTES:

- ELECTRICAL CHARACTERISTICS:
  - CONTACT RESISTANCE: 20mΩ Max. INITIAL.
  - DIELECTRIC WITHSTANDING VOLTAGE: 500V AC(rms) FOR 1 MINUTE.
  - INSULATION RESISTANCE: 1000MΩ Min.
- ENVIRONMENT CHARACTERISTICS:
  - OPERATING TEMPERATURE: 0°C~+85°C.
  - STORAGE TEMPERATURE: -20°C~+70°C.
- PART NUMBER: DS1026-11
- PRODUCT NUMBER CODE:  
 DS1026-11 - X X X X X
  - CONTACTS TYPE  
R:RIGHT ANGLE
  - HOUSING COLOR  
B:BLACK
  - CONTACT PLATING  
8: FULL GOLD FLASH
  - CONNECTOR TYPE  
S:SOCKET
  - No.OF CONTACTS  
2\*1-2\*X
  - SERIES No.  
DS1026-11



N: HALF OF PIN POSITIONS



RECOMMEND PCB LAYOUT  
(TOLERANCE=±0.05)

GENERAL TOLERANCE		ANGLE TOLERANCE		PROJECTION		TITLE	BOTTOM ENTRY TYPE DUAL ROW	
X.	±0.60	X.	±5°	UNITS	mm			
.X	±0.38	.X	±3°	SHEET SIZE	A4	SERIES	DS1026-11 SERIES	
.XX	±0.25	.XX	±2°					

2	CONTACT		COPPER ALLOY	GOLD PLATED	DRAWING TYPE		CUSTOMER	
1	HOUSING		THERMOPLASTIC	UL 94 V-0	SCALE	1:1	SHEET	1 OF 1
ITEM	PART NAME	PART NO.	MATERILAS	FINISHED	DRAWING NO.	C-DS1026-11-XXXXX		