

REV.	DESCRIPTION	DRAWN	CHECKED	APPROVED
A	NEW RELEASE	YCH 03/15/08'	~	

N:NUMBER OF CONTACT/2

NOTES:

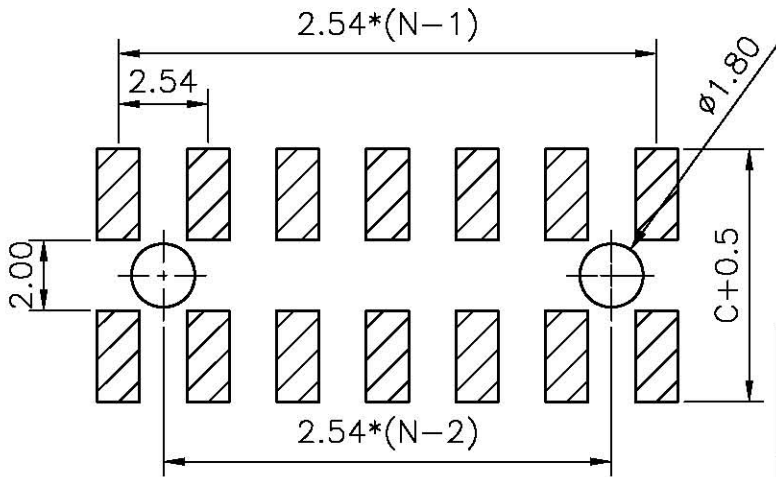
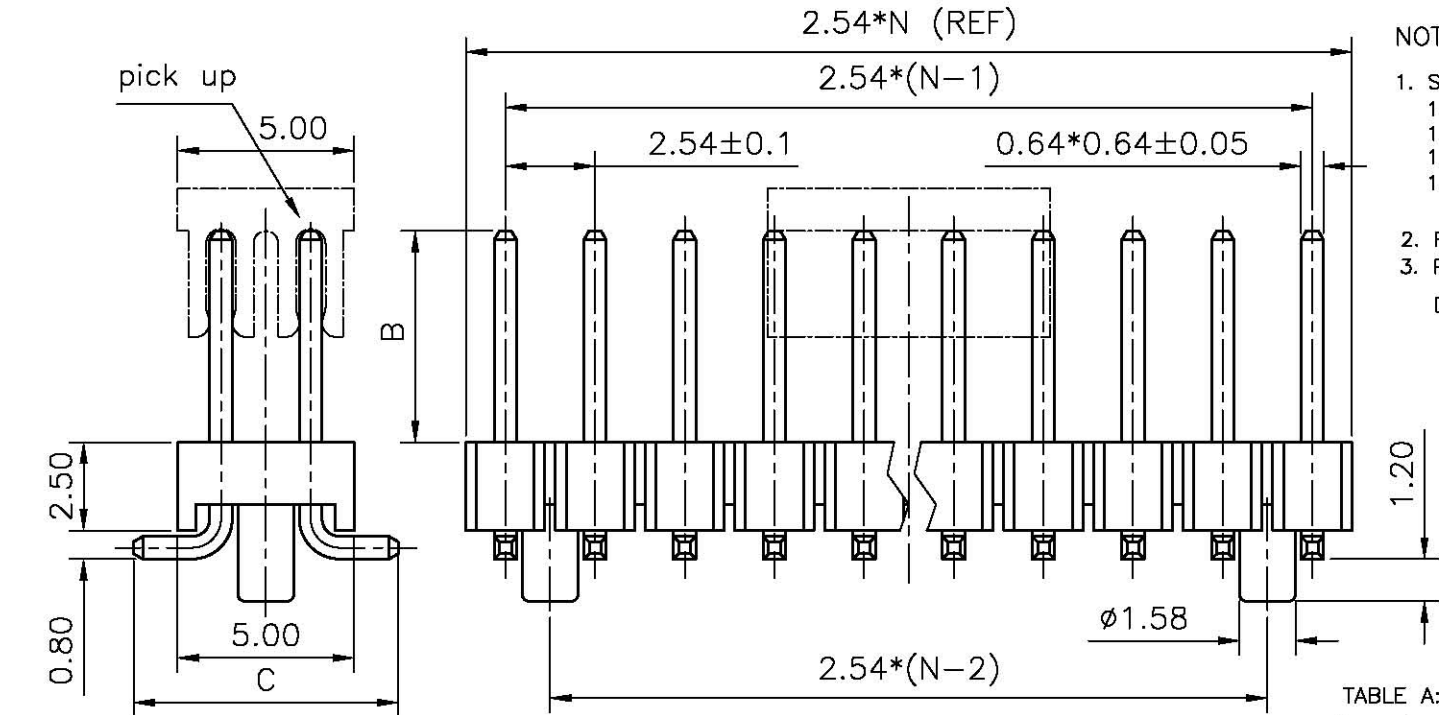
- SPECIFICATION
  - TEMPERATURE RANGE: -45°C~+110°C.
  - CONTACT RESISTANCE: 20mΩ max.
  - INSULATION RESISTANCE: 1000MΩ min.
  - DIELECTRIC WITHSTANDING VOLTAGE: AC 500V PER MINUTE.
- PART NUMBER: DS1022-06
- PRODUCT NUMBER CODE:

DS1022-06- X X X X X X

- PACKING TYPE
  - T:TRAY
  - R:TAPE ON REEL
  - B:TUBE
  - A:POLYBAG
- PICK UP SUPPORT
  - S:W/ PICK UP
  - X:W/O PICK UP
- Dim. A B C type
  - 1: Type 1
  - .....
- CONTACT PLATING
  - 8: FULL GOLD FLASH
  - 6: FULL TIN
- MOUNTING TYPE
  - S: SMT
- No. OF CONTACTS
  - 2\*2 - 2\*40

TABLE A:

TYPE	Dimension	
	B	C
1	6.00	7.50
2		
3		
4		
5		
6		
7		
8		



GENERAL TOLERANCE		ANGLE TOLERANCE		PROJECTION		TITLE	PIN HEADER PITCH 2.54mm	
X.	±0.60	X.	±5°	UNITS	mm		SMT TYPE W/ POST	
.X	±0.38	.X	±3°	SHEET SIZE	A4	SERIES	DS1022-06 SERIES	
.XX	±0.25	.XX	±2°					
DRAWING TYPE		CUSTOMER						
SCALE		1:1	SHEET	1 OF 1				
DRAWING NO.		C-DS1022-06-2*XXXXXX						