

REV.	DESCRIPTION	DRAWN	CHECKED	APPROVED
A	NEW RELEASE	LJC 05/04/08'		

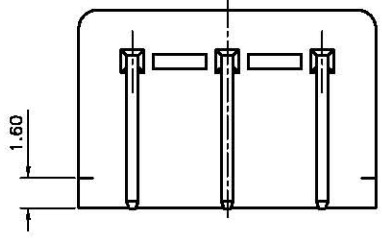
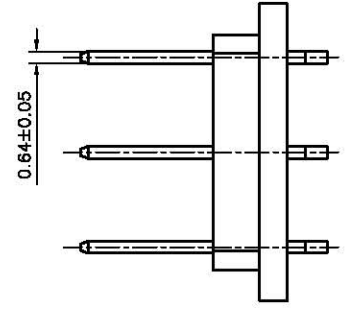
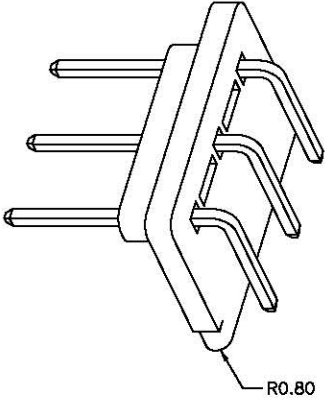
NOTES:

1. MATERIALS
  - 1.1 CONTACT MATERIAL: COPPER ALLOY.
  - 1.2 INSULATOR: PA-46
2. SPECIFICATIONS
  - 2.1 CURRENT RATING: 3A.
  - 2.2 OPERATING TEMPERATURE: -45°C TO +110°C.
  - 2.3 INSULATION RESISTANCE: 1000MΩ MIN.
  - 2.4 CONTACT RESISTANCE: 30mΩ MAX.
  - 2.5 DIELECTRIC WITHSTANDING: 500 VAC.

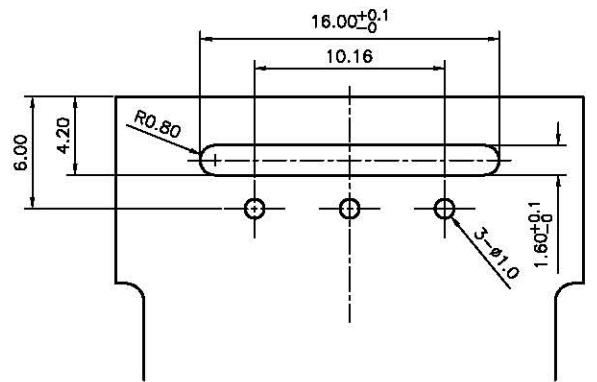
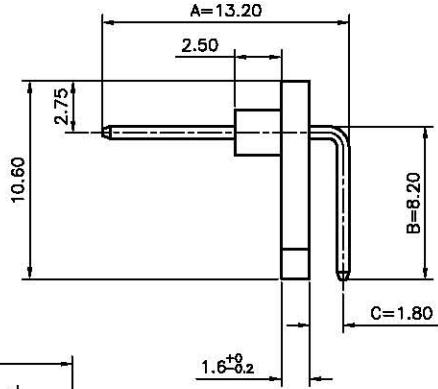
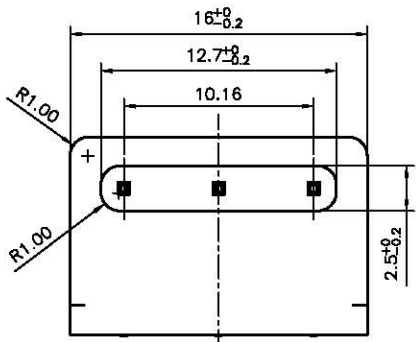
3. PART NUMBER: DS1022-05
4. PRODUCT NUMBER CODE:

DS1022-05- X X X X

DIM A B C TYPE  
 1: TYPE 1  
 CONTACT PLATING  
 8: FULL GOLD FLASH  
 6: FULL TIN  
 HOUSING COLOR  
 B: BLACK  
 No. OF CONTACTS  
 1\*3



TYPE	DIM A	DIM B	DIM C
1	13.20	8.20	1.80



RECOMMEND P.C.B BOARD HOLE LAYOUT  
 TOLERANCE=±0.05

GENERAL TOLERANCE		ANGLE TOLERANCE		PROJECTION		TITLE	PIN HEADER PITCH 5.08mm		
X.	±0.60	X.	±5°	UNITS	mm		SPECIAL R/A TYPE		
.X	±0.38	.X	±3°	SHEET SIZE	A4	SERIES	DS1022-05 SERIES		
.XX	±0.25	.XX	±2°						
DRAWING TYPE		CUSTOMER							
SCALE		1:1	SHEET		1 OF 1				
DRAWING NO.		C-DS1022-05-1*XXX							