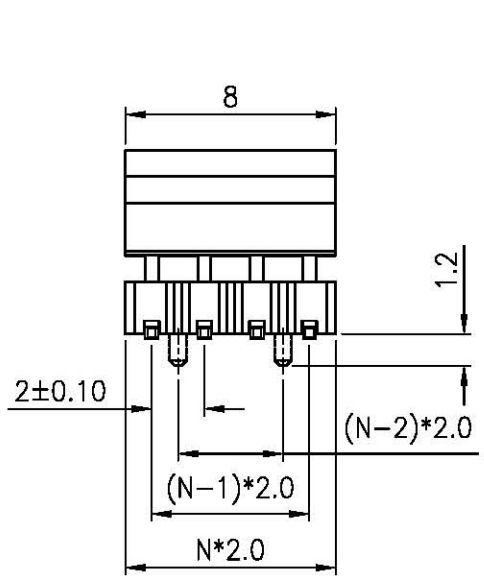
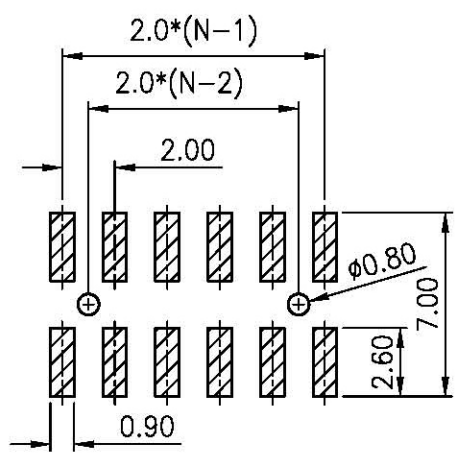
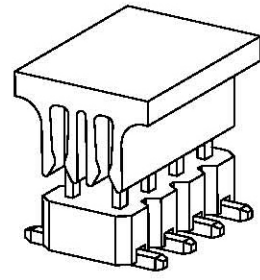
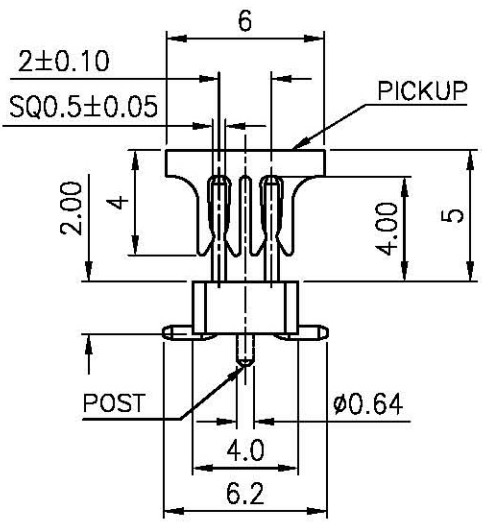


REV.	DESCRIPTION	DRAWN	CHECKED	APPROVED
A	NEW RELEASE	LJC 05/08/05'	~	LJC 05/08/05'
B	整理图纸	YCH 07/19/08'	~	



N=NUMBER OF CONTACTS/2



RECOMMEND PCB LAYOUT(TOLERANCE=±0.05)

NOTES:

- MATERIAL
  - INSULATOR: THERMOPLASTIC(UL 94V-0).
  - CONTACT MATERIAL: COPPER ALLOY.
- SPECIFICATION
  - CURRENT RATING: 1.5 Amp.
  - INSULATION RESISTANCE: 1000MΩ Min.
  - DIELECTRIC WITHSTANDING: 500VAC.
  - CONTACT RESISTANCE: 20mΩ Max.
  - OPERATING TEMPERATURE: -20°C TO +80°C.
- PART NUMBER: DS1025-08
- PRODUCT NUMBER CODE: DS1025-08 - X X X X X X X

- POST SUPPORT TYPE  
S: W/ POST  
X: W/O POST
- PACKING TYPE  
A: POLYBAG  
B: TUBE  
R: TAPE ON REEL  
T: TRAY
- PICKUP SUPPORT  
S: W/ PICKUP  
X: W/O PICKUP
- HOUSING COLOR  
B:BLACK
- CONTACT PLATING  
8: FULL GOLD FLASH
- CONNECTOR TYPE  
P:PLUG
- No.OF CONTACTS  
2\*2-2\*X
- SERIES No.  
DS1025-08

GENERAL TOLERANCE	ANGLE TOLERANCE	PROJECTION		TITLE	2.0 PITCH PIN HEADER SMT TYPE DUAL ROW W/O LOCATE PEG
X. ±0.60	X. ±5°	UNITS	mm		
.X ±0.38	.X ±3°	SHEET SIZE	A4	SERIES	DS1025-08 SERIES
.XX ±0.25	.XX ±2°				
DRAWING TYPE	CUSTOMER				
SCALE	1:1	SHEET	1 OF 1		
DRAWING NO.	C-DS1025-08-XXXXXX-B				