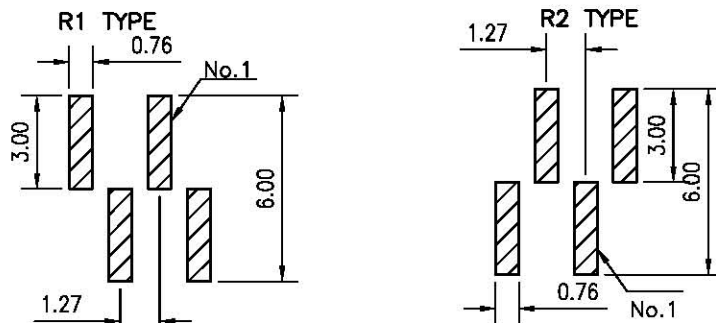
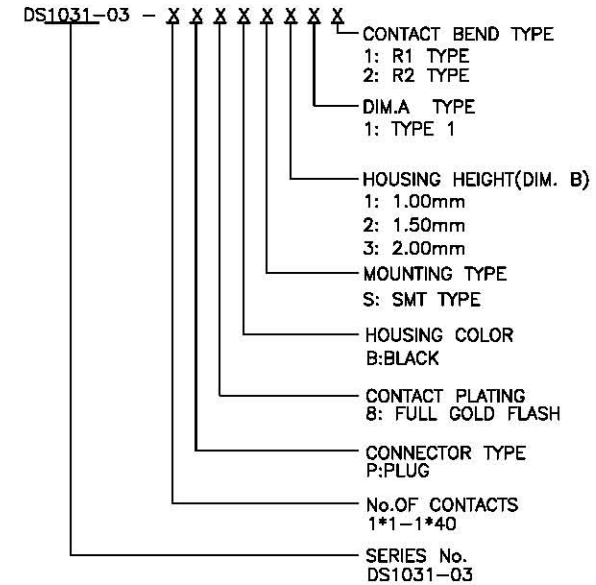


TYPE	DIM A
1	3.70

REV.	DESCRIPTION	DRAWN	CHECKED	APPROVED
A	NEW RELEASE	LJH 06/22/05'		

NOTES:

- MATERIAL
 - INSULATOR:THERMOPLASTIC(UL 94V-0).
 - CONTACT MATERIAL:COPPER ALLOY
- SPECIFICATION
 - CURRENT RATING:1.0 Amp.
 - INSULATION RESISTANCE:500MΩ Min.
 - DIELECTRIC WITHSTANDING:300VAC.
 - CONTACT RESISTANCE:50mΩ Max.
 - OPERATING TEMPERATURE:-40°C TO+105°C.
- PART NUMBER: DS1031-03
- PRODUCT NUMBER CODE:



GENERAL TOLERANCE		ANGLE TOLERANCE		PROJECTION		TITLE
X	±0.60	X	±5'			1.27mm PITCH PIN HEADER
.X	±0.38	.X	±3'			SINGLE ROW S.M.T TYPE
.XX	±0.25	.XX	±2'			
				UNITS	mm	
				SHEET SIZE	A4	SERIES DS1031-03 SERIES
DRAWING TYPE		CUSTOMER				
SCALE		1:1		SHEET		1 OF 1
DRAWING NO.		C-DS1031-03-XXXXXXXX				

ITEM	PART NAME	PART NO.	MATERIALS	FINISHED
2	CONTACT		COPPER ALLOY	GOLD PLATED
1	HOUSING		THERMOPLASTIC	UL 94 V-0