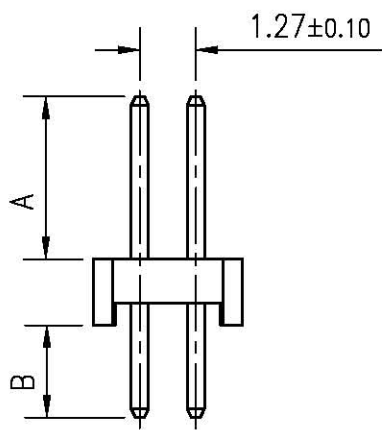
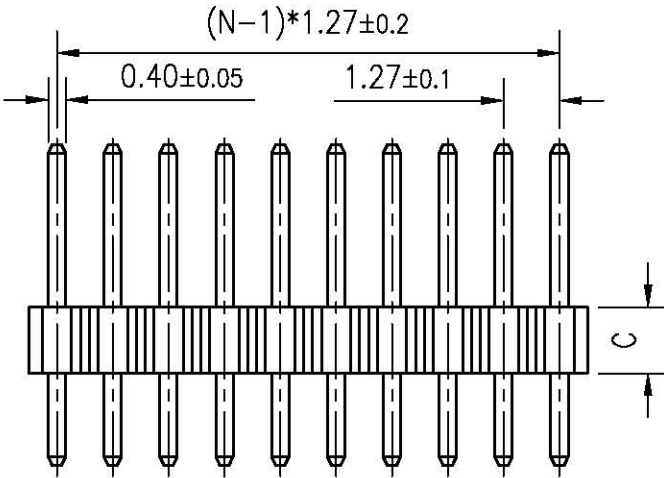
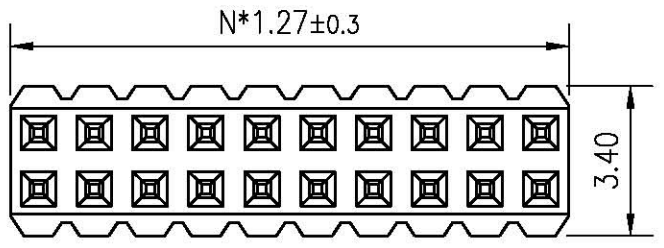
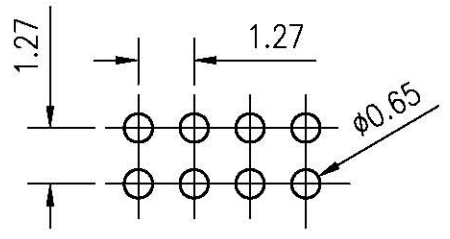


REV.	DESCRIPTION	DRAWN	CHECKED	APPROVED
A	NEW RELEASE	YCH 08/11/07'	~	



N: HALF OF CONTACTS



RECOMMEND PCB LAYOUT(TOLERANCE=±0.05)

NOTES:

- MATERIAL
 - INSULATOR:PA-46(UL 94V-0).
 - CONTACT MATERIAL:COPPER ALLOY.
- SPECIFICATION
 - CURRENT RATING:1.0 Amp.
 - INSULATION RESISTANCE:500MΩ Min.
 - DIELECTRIC WITHSTANDING:300VAC.
 - CONTACT RESISTANCE:20mΩ Max.
 - OPERATING TEMPERATURE:-40°C TO+105°C.

3. PRODUCT NUMBER CODE:

DS1031-06 - X X X X X X X

- DIM.A B TYPE
 - 1: TYPE 1
 - 2: TYPE 2
- HOUSING HEIGHT(DIM. C)
 - 1: 1.00mm
 - 2: 1.50mm
 - 3: 1.70mm
 - 4: 2.00mm
- MOUNTING TYPE
 - V: VERTICAL TYPE
- HOUSING COLOR
 - B:BLACK
- CONTACT PLATING
 - 8: FULL GOLD FLASH
- CONNECTOR TYPE
 - P:PLUG
- No.OF CONTACTS
 - 2*1-2*40

18		
19		
20		
21		
22		
23		
24		
25		

10		
11		
12		
13		
14		
15		
16		
17		

TYPE	DIM A	DIM B
1	3.70	2.10
2	3.50	3.50
3		
4		
5		
6		
7		
8		
9		

GENERAL TOLERANCE		ANGLE TOLERANCE		PROJECTION	⊕	TITLE	1.27mm PITCH PIN HEADER DUAL ROW STRAIGHT		
X.	±0.60	X.	±5'	UNITS	mm	SHEET SIZE	A4	SERIES	DS1031-06 SERIES
.X	±0.38	.X	±3'	DRAWING TYPE		CUSTOMER			
.XX	±0.25	.XX	±2'	SCALE	1:1	SHEET	1 OF 1		
DRAWING NO.		C-DS1031-06-XXXXXXX							