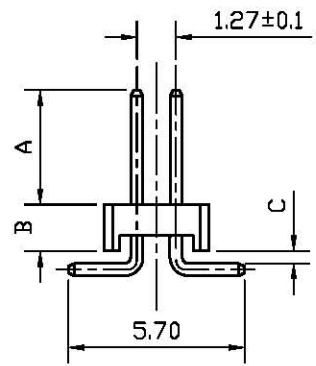
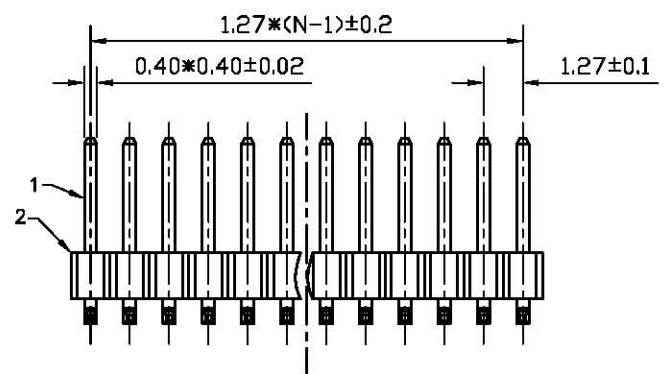
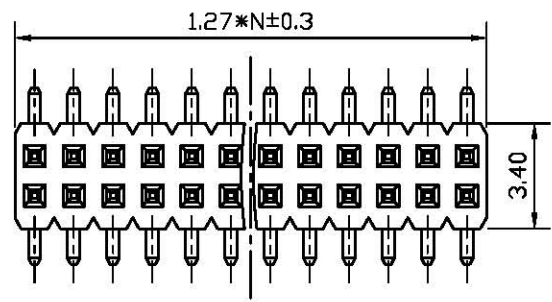
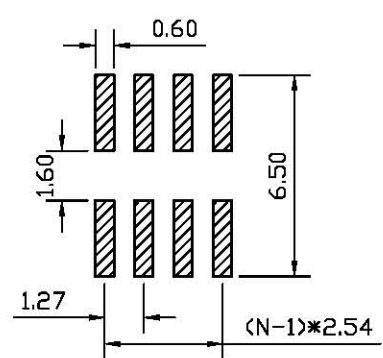


REV.	DESCRIPTION	DRAWN	CHECKED	APPROVED
A	NEW RELEASE	LJH 06/22/05'		



N:NUMBER OF CONTACTS/2



RECOMMEND PCB LAYOUT(TOLERANCE=±0.05)

TYPE	DIM A	DIM C
1	3.70	0.40
2	3.00	0.40
3	3.30	0.20

NOTES:

- ELECTRICAL CHARACTERISTICS:
 - CONTACT RESISTANCE: 50mΩ Max. INITIAL.
 - DIELECTRIC WITHSTANDING VOLTAGE: 300V AC(rms) FOR 1 MINUTE.
 - INSULATION RESISTANCE: 1000MΩ Min.
- ENVIRONMENT CHARACTERISTICS:
 - OPERATING TEMPERATURE: -40°C~+105°C.
- PART NUMBER: DS1031-08
- PRODUCT NUMBER CODE:

DS1031-08 - X X X X X X X

 - DIM.A C TYPE
 - 1: TYPE 1
 - 2: TYPE 2
 - 3: TYPE 3
 -
 - HOUSING HEIGHT(DIM.B)
 - 1: 1.00mm
 - 2: 1.50mm
 - 3: 1.70mm
 - 4: 2.00mm
 - MOUNTING TYPE
 - S: SMT TYPE
 - HOUSING COLOR
 - B:BLACK
 - CONTACT PLATING
 - 8: FULL GOLD FLASH
 - CONNECTOR TYPE
 - P:PLUG
 - No.OF CONTACTS
 - 2*1-2*40
 - SERIES No.
 - DS1031-08

GENERAL TOLERANCE		ANGLE TOLERANCE		PROJECTION		TITLE	PIN HEADER PITCH 1.27mm SMT TYPE	
X	±0.60	X	±5'	UNITS	mm			
.X	±0.38	.X	±3'	SHEET SIZE	A4	SERIES	DS1031-08 SERIES	
.XX	±0.25	.XX	±2'					

2	CONTACT		COPPER ALLOY		GOLD FLASH	DRAWING TYPE		CUSTOMER	
1	HOUSING		THERMOPLASTIC		UL 94 V-0	SCALE	1:1	SHEET	1 OF 1
ITEM	PART NAME	PART NO.	MATERILAS		FINISHED	DRAWING NO.	C-DS1031-08-XXXXXXX		