

REV.	DESCRIPTION	DRAWN	CHECKED	APPROVED
A	NEW RELEASE	YCH 03/24/09	~	

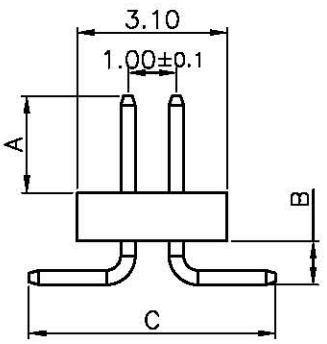
NOTES:

- MATERIAL
  - INSULATOR:PA-46(UL 94V-0).
  - CONTACT MATERIAL:COPPER ALLOY.
- SPECIFICATION
  - CURRENT RATING:1.0 Amp.
  - INSULATION RESISTANCE:500MΩ Min.
  - DIELECTRIC WITHSTANDING:600VAC.
  - CONTACT RESISTANCE:20mΩ Max.
  - OPERATING TEMPERATURE:-45°C TO+110°C.

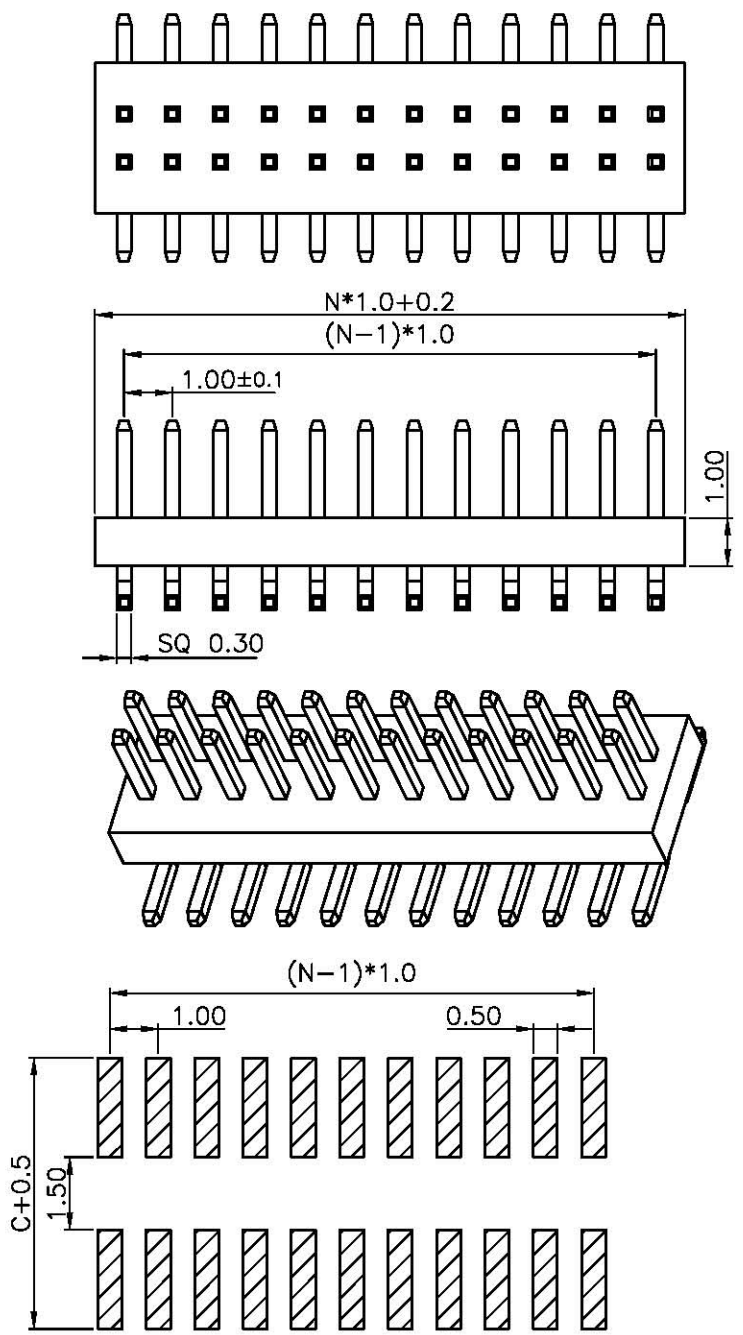
- PART NUMBER: DS1031-23
- PRODUCT NUMBER CODE:

DS1031-23 - X X X X X X

- DIM.A B TYPE  
1: TYPE 1
- MOUNTING TYPE  
S: SMT TYPE
- HOUSING COLOR  
B:BLACK
- CONTACT PLATING  
8: FULL GOLD FLASH
- CONNECTOR TYPE  
P:PLUG
- No.OF CONTACTS  
2\*2-2\*40



TYPE	DIM A	DIM B	DIM C
1	2.00	0.90	5.10
2			
3			
4			
5			
6			
7			
8			



RECOMMEND PCB LAYOUT(TOLERANCE=±0.05)

GENERAL TOLERANCE		ANGLE TOLERANCE		PROJECTION		TITLE	DUAL ROW PIN HEADER		
X.	±0.60	X.	±5°	UNITS	mm		PITCH 1.0mm SMT TYPE		
.X	±0.38	.X	±3°	SHEET SIZE	A4	SERIES	DS1031-23 SERIES		
.XX	±0.25	.XX	±2°						
DRAWING TYPE		CUSTOMER							
SCALE		1:1	SHEET		1 OF 1				
DRAWING NO.		C-DS1031-23-XXXXXX							