

REV.	DESCRIPTION	DRAWN	CHECKED	APPROVED
A	NEW RELEASE	YCH 03/24/09	~	

NOTES:

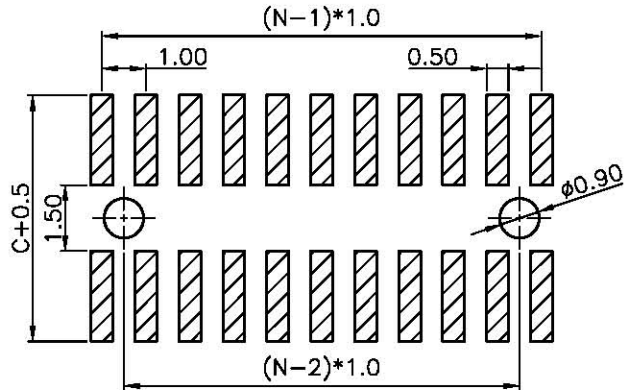
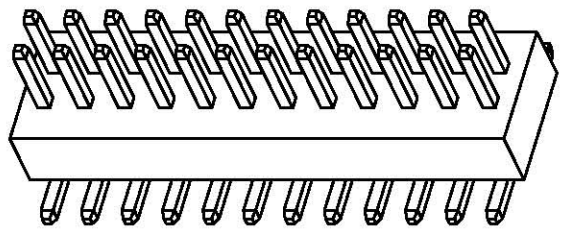
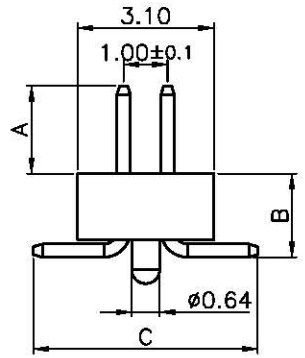
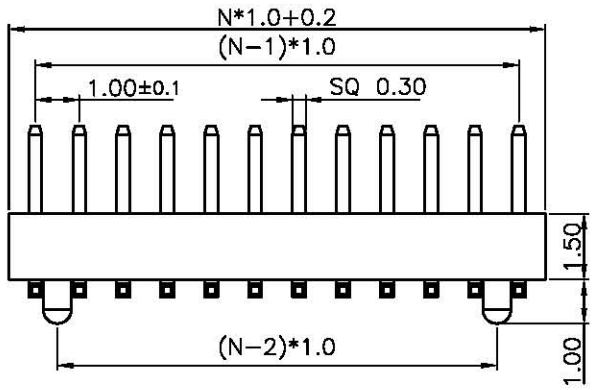
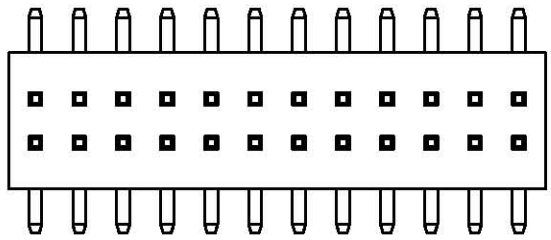
- MATERIAL
 - INSULATOR:PA-46(UL 94V-0).
 - CONTACT MATERIAL:COPPER ALLOY.
- SPECIFICATION
 - CURRENT RATING:1.0 Amp.
 - INSULATION RESISTANCE:500MΩ Min.
 - DIELECTRIC WITHSTANDING:600VAC.
 - CONTACT RESISTANCE:20mΩ Max.
 - OPERATING TEMPERATURE:-45°C TO+110°C.

3. PART NUMBER: DS1031-24

4. PRODUCT NUMBER CODE:

DS1031-24 - X X X X X X

- DIM.A B TYPE
- 1: TYPE 1
- MOUNTING TYPE
- S: SMT TYPE
- HOUSING COLOR
- B:BLACK
- CONTACT PLATING
- 8: FULL GOLD FLASH
- CONNECTOR TYPE
- P:PLUG
- No.OF CONTACTS
- 2*2-2*40



RECOMMEND PCB LAYOUT(TOLERANCE=±0.05)

TYPE	DIM A	DIM B	DIM C
1	2.00	1.90	5.10
2			
3			
4			
5			
6			
7			
8			

GENERAL TOLERANCE		ANGLE TOLERANCE		PROJECTION		TITLE	DUAL ROW PIN HEADER
X.	±0.60	X.	±5°	UNITS	mm	PITCH 1.0mm SMT TYPE W/ POST	
.X	±0.38	.X	±3°	SHEET SIZE	A4	SERIES	DS1031-24 SERIES
.XX	±0.25	.XX	±2°				
DRAWING TYPE		CUSTOMER					
SCALE		1:1	SHEET	1 OF 1			
DRAWING NO.		C-DS1031-24-XXXXXX					